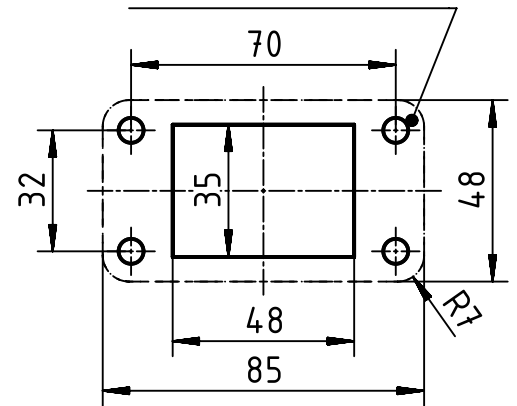
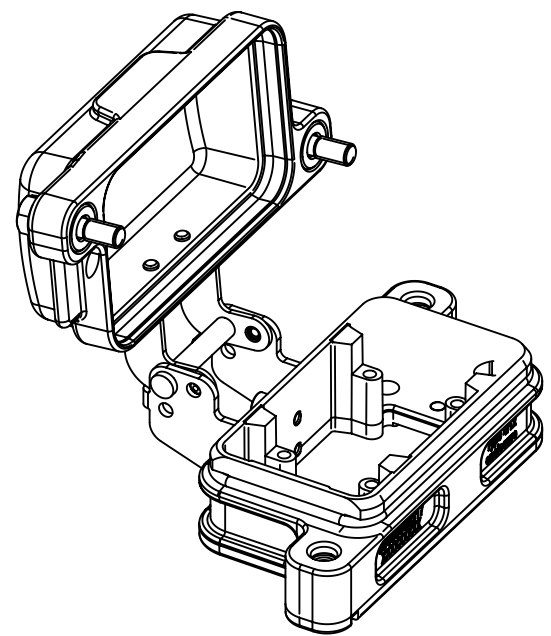
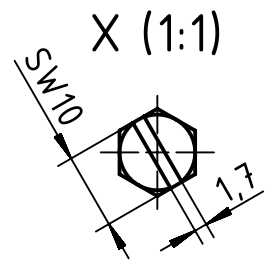
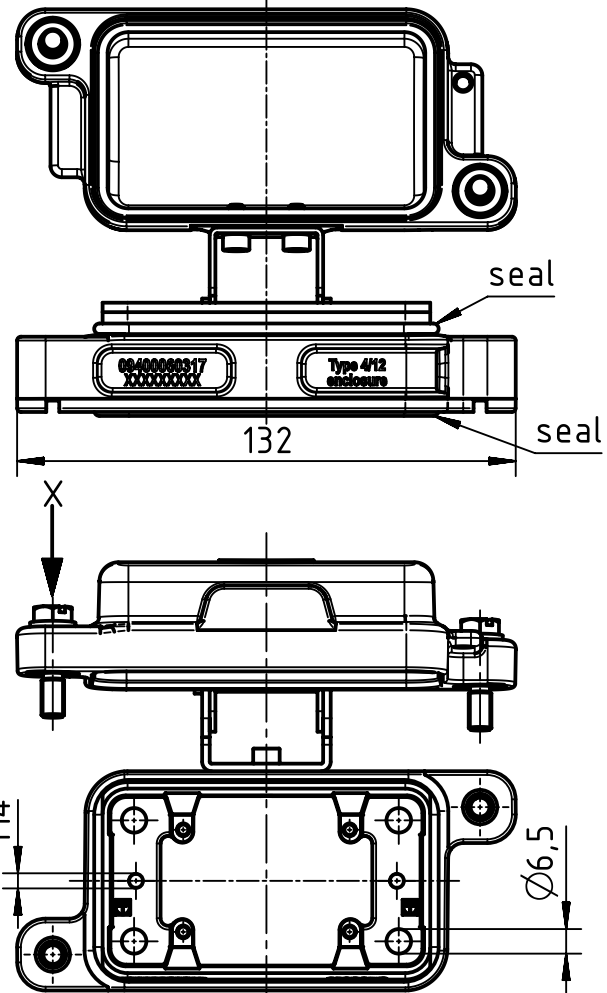


panel cut out
(1:2)

for EMC features,
conductive surface



	All rights reserved Department EL PD - DE HARTING Electric GmbH & Co. KG D-32339 Espelkamp	All Dimensions in mm Original Size DIN A4		Scale 1:2	Free size tol.	Ref. Sub.
		Created by FINKEV	Inspected by BERGHORN	Standardisation TIEMANNA	Date 2018-02-13	State Final Release
Title Han 6HPR Base Panel Screw lock. Cover					Doc-Key / ECM-Nr. 100209963/UGD/004/D 500000130885	
Type TB				Number 09 40 006 0317		Rev. D
						Page 1/1